

Turning Turtle

 **Carlson**  **Leica**  **SOKKIA**
Geosystems

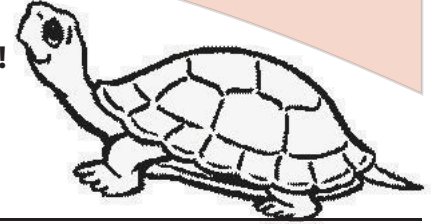
August/September 2008

Brings You Measure News You Can Use!

Turning Point Systems Group is accredited by the Better Business Bureau

6480 N. Industrial Road, Milwaukee, WI 53223 • (414) 353-8774

24/7 EMERGENCY & SUPPORT LINE (414) 324-5850



About the Company

Turning Point Systems Group provides consultative sales, rentals and training of measuring systems products and software for Reality Capturing. Our staff offers extensive experience in the sales of Surveying, Construction, Forensic and Engineering HDS, TPS and GPS technologies. We know that measuring sales takes 10% Sales, but 90% Surveying Product Knowledge and Experience!

Turning Point is an Authorized Distributor for Leica Geosystems HDS, SOKKIA Corporation and Carlson Software, serving the Great Lakes Region with staff in Milwaukee and Chicago. Additionally, to support our clients, we supply products by Rust-Oleum, Crain, Presco Products, CST, Stan's Industrial Woodworking and Seco Manufacturing from our Milwaukee Warehouse. Turning Point is the only Wisconsin instrument supplier accredited by the Better Business Bureau and is veteran-owned.

Upcoming Events

Society of Southeastern Wisconsin Land Surveyors Chapter Meeting & Turning Point Annual Open House

When: September 11, 2008

Where: Milwaukee Office

Who: Intended for Surveyors, Engineers, Contractors, and Construction Crew

2008 Leica Geosystems Worldwide HDS & Airborne Sensor User Conference

When: October 26-30, 2008

Where: Conference @ Marriott Hotel;
HDS workshops @ nearby Leica office;
San Ramon, CA (San Francisco Area)

Who: Intended for Leica Geosystems HDS and/or Airborne Sensor Customers & Selected Invitees

Monthly Giveaway

August/September Prize: Fat Max!

Great For Basic Measuring Needs!

Tru Laser Light Technology
for the MOST ACCURATE
measuring!



Enter the
store and
WIN!

- Large LCD Graphical Display
- Single Point and Push ON/Measurement
- Impact Resistant

Every time you visit the Turning Point Milwaukee store, enter the monthly drawing for a chance to win!! A different prize every month, just for visiting us with your smiling face.



Society of Southeastern Wisconsin Land Surveyors Chapter Meeting and Turning Point Annual Open House

Thursday, September 11, 2008

An almost all day event with friends, seminars and meat!

• Please visit us at www.turningpointssystemsgroup.com •

Service and Repair

Maintaining Your Thumb Release Bipod or Tripod

For proper operation:

1. The leg interior should be clean and dry.
2. Light lubricant on the end of the latch rod (#7). Do not use excessive lubricant.
3. The outer tube can be washed out with clean water and blown out with compressed air to remove contamination.
4. Remove prism pole point (#1) to expose hole. Shotgun cleaning tools can also be used.

To disassemble leg:

1. Unscrew threaded stopguide (#2), ccw.
2. Press lock button (#3) to release lock and pull inner from outer assembly. CAUTION: if o-ring (#4) has slipped the lock plungers (#5) could be loose. So pull the inner out slowly.
3. Reassemble in reverse order.

Solutions for Rare Problems:

Leg Slips

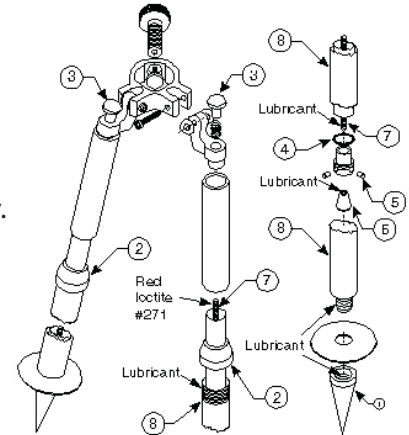
- 1.1 Turn brass button (#3) clockwise until leg locks satisfactorily. If button does not easily, disassemble, clean and relube lock cone (#6) and latch rod (#7).
- 1.2 Disassemble, inspect locking mechanism for cleanliness. Clean lock plungers (#5) and inside of outer leg tube (#8).

Tight Spots

- 2.1 Same as 1.2
- 2.2 Inspect for dents in outer leg (#8). Replace if necessary.

Leg Sticks

- 3.1 Same as 1.2



TURNING POINT would like to make your company a ★ for our 2009 Turning Point Calendar! Submit the best photos of your company using our equipment today.

Email photos to: rrill@turningpointssystemsgroup.com
Winner will be announced and be featured in the calendar!!

Congratulations!

July Winner

**Bruce Bowden of
T N and Associates Inc.**

You have won a free Fat Max!

(Value \$100)

CARLSON CIVIL SUITE 2009

Carlson Survey 2009

For AutoCAD and with the IntelliCAD Engine



- Carlson Survey
- Carlson Hydrology
- Carlson GIS
- Carlson Civil

**Special
\$1,995**

Limited Quantity

2008 Leica Geosystems Worldwide HDS & Airborne Sensor User Conference

SAP No.	HDS Workshops	Cost
5001976	1/2-day Hands-on Workshop, a.m., Oct. 26, "Advanced registration"	\$195.00/person
5001977	1/2-day Hands-on Workshop, a.m., Oct. 26, "CloudWorx for AutoCAD & MS"	\$195.00/person
5001978	1/2-day Hands-on Workshop, p.m., Oct. 26, "Topographic workflows"	\$195.00/person
5001979	1/2-day Hands-on Workshop, p.m., Oct. 26, "Plant modeling & phase data mgmt"	\$195.00/person
5001980	1/2-day Hands-on Workshop, a.m., Oct. 30, "Plant modeling & phase data mgmt"	\$195.00/person
5001981	1/2-day Hands-on Workshop, a.m., Oct. 30, "ScanStation setup & traversing"	\$195.00/person
5001982	1/2-day Hands-on Workshop, p.m., Oct. 30, "Advanced registration"	\$195.00/person
5001983	1/2-day Hands-on Workshop, p.m., Oct. 30, "Cyclone tips & tricks"	\$195.00/person

HDS workshops have limited space

Registration Fees

SAP No.	Main Conference	Early Registration (Until Sept. 26)
5001970	Leica Geosystems HDS Customers	\$495.00/person
5001971	Leica Geosystems HDS Customers with Universities	\$245.00/person
5001972	Invitees who are non-customers	\$695.00/person

SAP No.	Main Conference	Late Registration (Sept. 27 or after)
5001973	Leica Geosystems HDS Customers	\$595.00/person
5001974	Leica Geosystems HDS Customers with Universities	\$295.00/person
5001975	Invitees who are non-customers	\$795.00/person

CLASSIFIED ADS

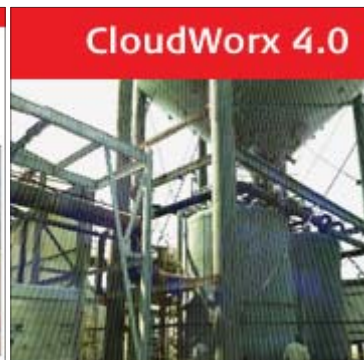
For Sale

Leica System 1200 G3 RTK Base & Rover
35 Watt PDI, \$29,995 used complete lease \$500 per month for 60 months. For details or questions please contact Cliff at 414-353-8774.

WILD T16 Theodolite, \$1,800. Please contact Cliff at 414-353-8774 for details.

New Release

Leica Cyclone 6.0 and CloudWorx 4.0



Post your Job Openings online at Turning Point's Job Board!

Free and easy!

Contact Paula at 414-353-8774 for submission details.

Rental
\$200

per day



Sokkia 2700ISX Rover

(working with our 2700RSX Reference)
 good through the month of August

A NEW LEVEL OF VERSATILITY & SPEED IN LASER SCANNERS

- Reduce time spent in hazardous locations
- Collect data in tighter time windows
- Collect even more complete data
- Provide project results faster



24/7 EMERGENCY & SUPPORT LINE (414) 324-5850

• Please visit us at www.turningpointssystemsgroup.com •

Trade-in Program Details

For a New Leica ScanStation 2 -

With a Competitive Equipment Trade-in:

1. Equipment age is greater than or equal to 16 months old, trade-in = \$25k off new equipment
2. Equipment age is 8 -15 months old, trade in = \$40k off new equipment
3. Equipment age is less then or equal to 7 months old, trade-in = \$55k off new equipment

With older HDS Equipment Trade-in:

1. Equipment age is greater than or equal to 16 months old, trade-in = \$45k off new equipment
2. Equipment age is less than or equal to 15 months old, trade-in = \$60k off new equipment

For a New Leica HDS6000 -

With A Competitive Equipment Trade-in:

1. Equipment age is greater than or equal to 16 months old, trade-in = \$25k off new equipment
2. Equipment age is 8 -15 months old, trade in = \$35k off new equipment
3. Equipment age is less than or equal to 7 months old, trade-in = 45k off new equipment

With older HDS Equipment Trade-in:

1. Equipment age is greater than or equal to 16 months old, trade-in = \$40k off new equipment
2. Equipment age is less than or equal to 15 months old, trade-in = \$55k off new equipment



Conditions on Trade-in

1. Customer must surrender all competitive scanning hardware, and software to Leica Geosystems, including a laptop where the software is functioning
2. Leica Geosystems will take possession of the competitive hardware, laptop and software, all the above components must receive a RGA and be received by Leica Geosystems, Inc before the appropriate credit will be issued.

Leica Geosystems announces a trade-in program on its scanners as well as scanners from competitive brands.

Please contact Turning Point Systems Group for details.

Leica Geosystems is Extending the Very LOW Financing on All Your High-end HDS Needs Through September 30th, 2008

Available on all new orders greater than \$25,000 in Leica Geosystems HDS products purchased through September 30th, 2008.

No other promotions can be used in conjunction with this program.

Pricing is based on approved credit and the application must be received by Irwin Commercial Financial no later than September 30th, 2008.

Rates are as low as 3.48% based on a 24-month term, monthly payments, first in advance. (Longer terms are available.) Contact Cliff DeTemple at 414-353-8774 to inquire about additional financing terms.

Equipment Cost	24	36	48	60
\$25,000 - \$49,999	3.48%	5.20%	5.92%	6.35%
\$50,000 - \$ 99,999	3.48%	4.95%	5.67%	6.10%
\$100,000 +	3.23%	4.71%	5.43%	5.86%



1. The above rates are based on an 4.05% subsidy from Leica Geosystems.
2. Rates are subject to change if there are significant fluctuations in market conditions.
3. Promotion expires September 30th, 2008.
4. All transactions are subject to credit approval by Irwin Commercial Finance.
5. Above rates are for qualified customers only and are subject to change.
6. No other promotions can be used in conjunction with this program.

